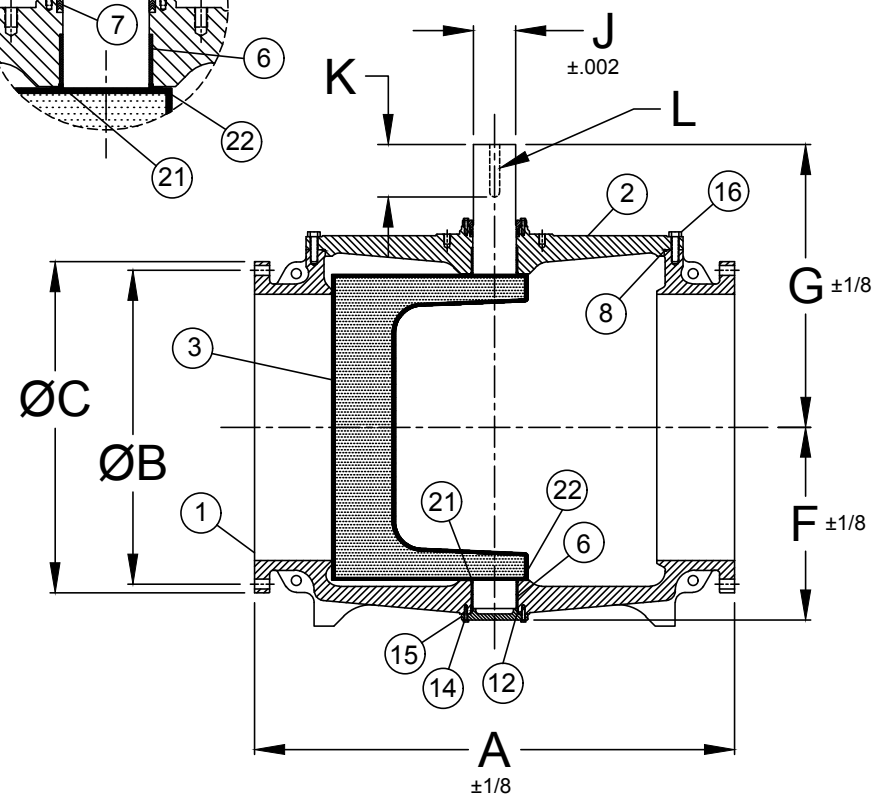
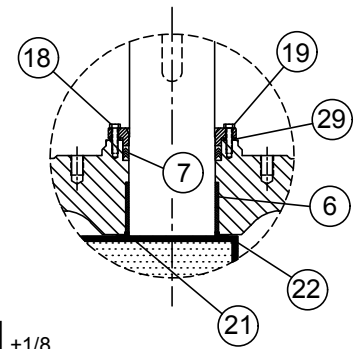
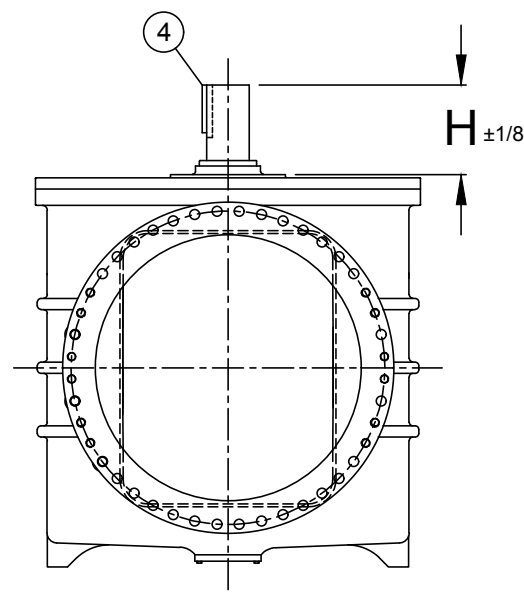


ACTUATOR MOUNTING DIMENSIONS ON VALVE COVER



SEE DRAWING NO. VM-5842R-M FOR STANDARD MATERIALS OF CONSTRUCTION

END FLANGE DRILLING CONFORMS TO ANSI B16.1

VALVE SIZE	A	B	C	D	E QTY.	E TAP	E DEEP	F	G	H	J	K	L	M	N	O	P	Q	R	S	BOLT SIZE	NO. OF BOLTS
42	62	49.50	53.00	2.63	20	1½-6	2.25	36.4	45.8	13.2	7.245	6.0	1.75 SQ.	6.268	23.0	19.0	11.2	1¼-7	1.63	8	1½	36
48	72	56.00	59.50	2.75	44	1½-6	2.25	36.5	53.6	15.5	7.745	7.0	2.00 SQ.	6.619	23.0	19.0	12.0	1¼-7	1.63	8	1½	44
54	96	62.75	66.25	3.00	12	1¾-6	3.00	39.1	56.6	17.9	8.495	10.5	2.00 SQ.	7.381	23.0	19.0	14.0	1¼-7	2.25	12	1¾	44
60	96	69.25	73.00	3.00	36	1¾-6	2.25	47.8	64.9	17.6	8.495	9.0	2.00 SQ.	7.381	23.0	19.0	14.0	1¼-7	2.25	12	1¾	52
66	96	76.00	80.00	3.25	40	1¾-6	2.50	51.4	71.2	26.8	10.995	11.0	2.50 SQ.	9.606	31.5	27.0	18.8	1¼-7	2.63	12	1¾	52
72	96	82.50	86.50	3.50	40	1¾-6	2.75	52.0	82.4	27.7	11.495	13.3	2.50 SQ.	10.107	31.5	27.0	18.8	1¼-7	2.63	12	1¾	60

100% PORT FLANGED CAM-CENTRIC® RECTANGULAR PLUG VALVE

DATE 8-2-18



VALVE AND MANUFACTURING CORP.

DRWG. NO. VMC-5642F