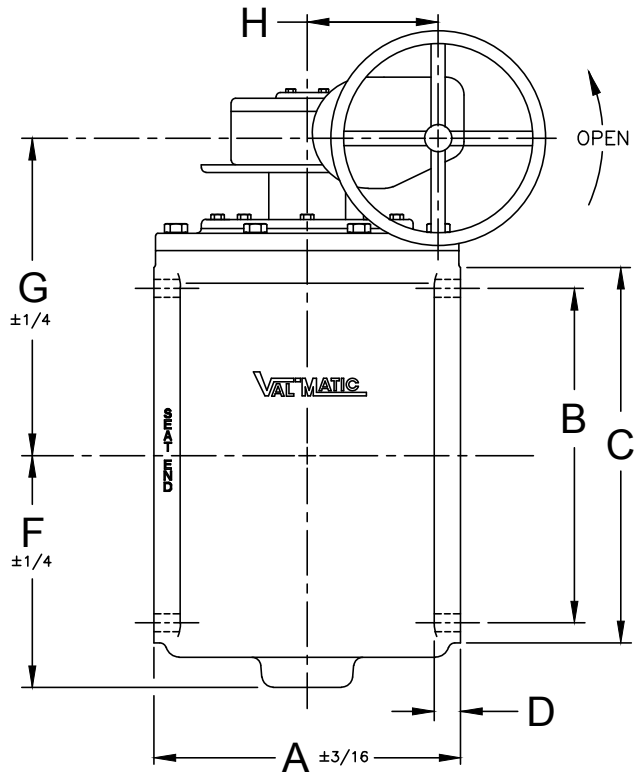
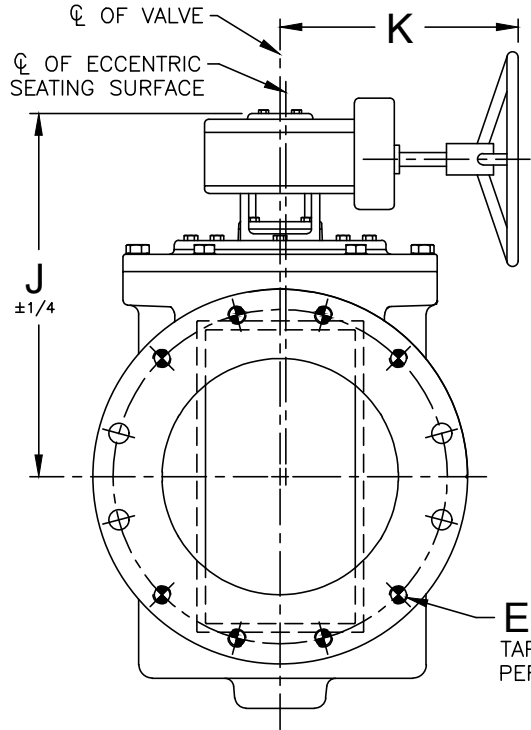
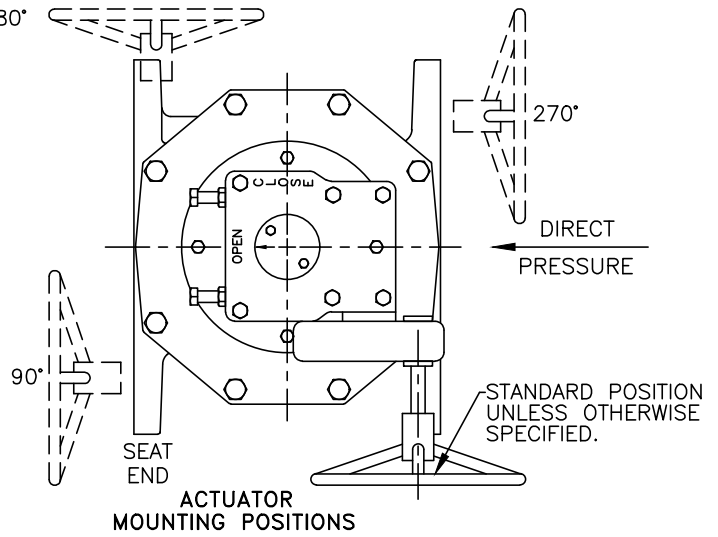


COLD WORKING PRESSURE
150 P.S.I.
HYDRO TEST PRESSURE
225 P.S.I.



* INDICATES VALVE MODEL NUMBERS W/O SPUR GEAR.
** FOR TWO VALUES, FIRST INDICATES THE QTY. ON THE SEAT SIDE FLANGE.
SEE DRAWING NO. VM-5606FN-M FOR STANDARD MATERIALS OF CONSTRUCTION.

VALVE SIZE	MODEL NO.	PRESS RATING (PSI)		HAND WHEEL DIA.	A	B	C	D	E** QTY.	E TAP	E DEEP	F	G	H	J	K	BOLT SIZE	NO. OF BOLTS
		REVERSE	DIRECT															
14	5614F/5E18*	50	150	18	17.00	18.75	21.00	1.38	8,4	1-8	1.00	13.0	19.21	5.62	21.71	19.0	1	12
	5614F/5E24*	100	150	24												20.3		
	5614F/5F24*	150	150	24														
16	5616F/5G18	50	150	18	17.75	21.25	23.50	1.44	8	1-8	1.00	15.63	23.04	9.69	24.84	16.0	1	16
	5616F/5H18	100	150	18														
	5616F/5J18	150	150	18														
18	5618F/5K18	50	150	18	21.50	22.75	25.00	1.56	8	1 1/8-7	1.13	15.63	22.95	9.69	24.85	16.0	1-1/8	16
	5618F/5L18	100	150	18												17.7		
	5618F/5L24	150	150	24												19.1		
20	5620F/5N18	50	150	18	23.50	25.00	27.50	1.69	12	1 1/8-7	1.13	17.38	24.62	7.30	25.92	20.6	1-1/8	20
	5620F/5Q30	150	150	30												21.9		
	5624F/5R24	50	150	24												20.9		
24	5624F/5S30	100	150	30	30.00	29.50	32.00	1.88	12,8	1 1/4-7	1.38	18.81	23.83	4.24	26.73	21.7	1-1/4	20
	5624F/5T30	150	150	30														
	5630F/5U24	50	150	24														
30	5630F/5V24	100	150	24	37.50	36.00	38.75	2.12	20,12	1 1/4-7	1.88	24.0	27.3	2.77	31.8	25.0	1-1/4	28
	5630F/5W24	150	150	24														
	5636F/5X24	50	150	24														
36	5636F/5Y24	100	150	24	52.00	42.75	46.00	2.38	28	1 1/2-6	2.25	27.0	33.03	4.91	38.33	27.3	1-1/2	32
	5636F/5Z24	150	150	24														

100% PORT ANSI 125 FLG CAM-CENTRIC® PLUG VALVE WITH WORM GEAR ACT

REV 8-14-18
DATE 3-2-16



VALVE AND MANUFACTURING CORP.

DRWG. NO.
VMC-5614F/WGA