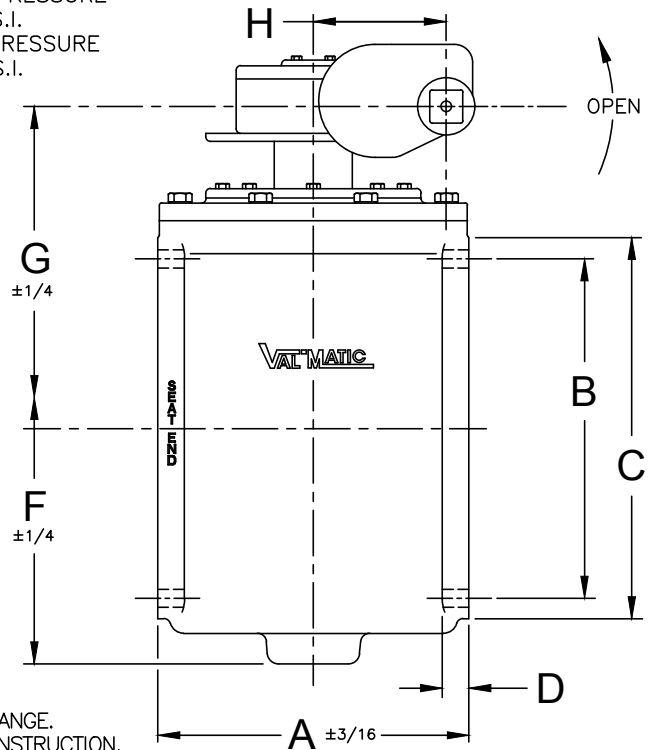


COLD WORKING PRESSURE  
150 P.S.I.  
HYDRO TEST PRESSURE  
225 P.S.I.



\* INDICATES VALVE MODEL NUMBERS W/O SPUR GEAR.  
\*\* FOR TWO VALUES, FIRST INDICATES THE QTY. ON THE SEAT SIDE FLANGE.  
SEE DRAWING NO. VM-5606FN-M FOR STANDARD MATERIALS OF CONSTRUCTION.

VALVE SIZE	MODEL NO.	ACTUATOR PRESSURE RATING (PSI)		A	B	C	D	**E QTY.	E TAP	E DEEP	F	G	H	J	K	BOLT SIZE	NO.OF BOLTS
		REVERSE	DIRECT														
14	5614F/6E02*	100	150	17.00	18.75	21.00	1.38	8,4	1-8	1.00	13.1	19.2	5.62	21.8	13.0	1	12
	5614F/6F02*	150	150														
16	5616F/6G02	50	150	17.75	21.25	23.50	1.44	8	1-8	1.00	15.6	23.1	9.69	24.9	14.5	1	16
	5616F/6H02	100	150														
18	5618F/6J02	150	150	21.50	22.75	25.00	1.56	8	1 1/8-7	1.13	15.6	23.0	9.69	24.9	14.5	1-1/8	16
	5618F/6K02	50	150														
	5618F/6L02	100	150														
20	5620F/6M02	150	150	23.50	25.00	27.50	1.69	12	1 1/8-7	1.13	17.5	24.7	7.30	26.0	14.5	1-1/8	20
	5620F/6N02	50	150														
	5620F/6P02	100	150														
24	5624F/6Q02	150	150	30.00	29.50	32.00	1.88	12,8	1 1/4-7	1.38	19.0	23.9	4.24	26.8	15.1	1-1/4	20
	5624F/6R02	50	150														
	5624F/6S02	100	150														
30	5630F/6T02	150	150	37.50	36.00	38.75	2.22	20,12	1 1/4-7	1.88	24.0	27.3	2.77	31.8	19.2	1-1/4	28
	5630F/6U02	50	150														
	5630F/6V02	100	150														
36	5630F/6W02	150	150	52.00	42.75	46.00	2.47	32	1 1/2-6	2.00	27.0	33.4	4.91	38.7	21.4	1-1/2	32
	5636F/6X02	50	150														
	5636F/6Y02	100	150														
	5636F/6Z02	150	150														

100% PORT ANSI CLASS 125 FLANGED CAM-CENTRIC® PLUG VALVE WITH WORM GEAR ACTUATOR

DATE REV 8-14-18  
8-2-16

DRWG. NO.  
VMC-5614F/BWGA



VALVE AND MANUFACTURING CORP.