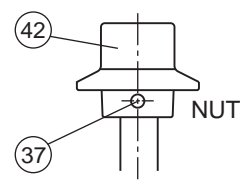


NOTES

1. THE DIRECTION OF OPENING MAY BE REVERSED BY SIMPLY CHANGING POSITION OF BEVEL GEAR AS SHOWN BY DOTTED LINES. SOLID LINES - OPEN LEFT. DOTTED LINES - OPEN RIGHT.
2. OPERATOR MEETS AWWA SPECIFICATIONS C-504, LATEST REVISION.
3. SEE DRAWING NO. VM-LS5A.2-M FOR STANDARD MATERIALS OF CONSTRUCTION.

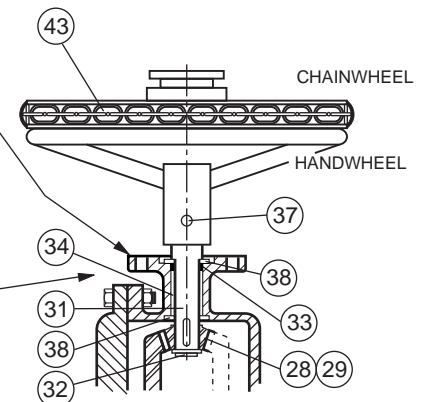
OPEN STOP NUT

CLOSED STOP



STANDARD FOR BURIED SERVICE

INTEGRAL SOIL PIPE ALIGNMENT/ MOTOR ATTACHMENT FLANGE



INPUT SHAFT DETAIL VIEW

TRAVELING NUT ACTUATOR

DATE 8-22-08