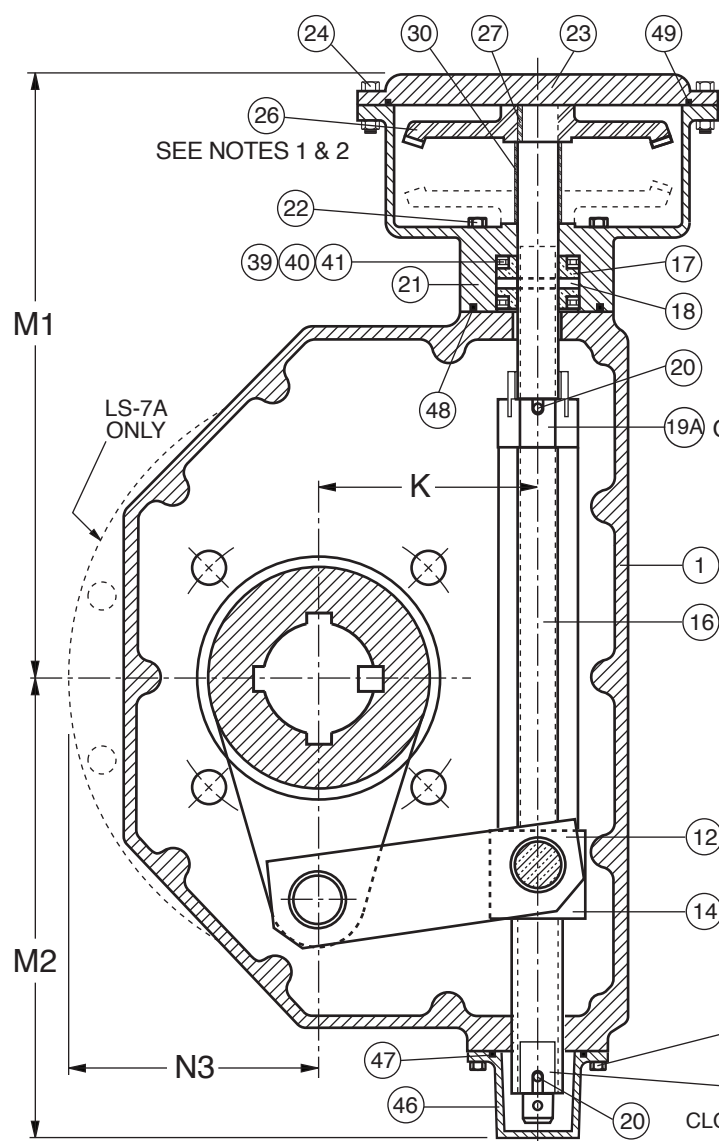


NOTES

1. THE DIRECTION OF OPENING MAY BE REVERSED BY CHANGING THE POSITION OF BEVEL GEAR (26). FOR OPEN LEFT, THE POSITIONS ARE:
LS-5.2A BOTTOM (DOTTED LINE)
LS-6A TOP (SOLID LINE)
LS-7A TOP (SOLID LINE)
2. OPERATOR MEETS AWWA SPECIFICATIONS C-504, LATEST REVISION.
3. SEE DRAWING NO. VM-LS5A.2-M FOR STANDARD MATERIALS OF CONSTRUCTION.

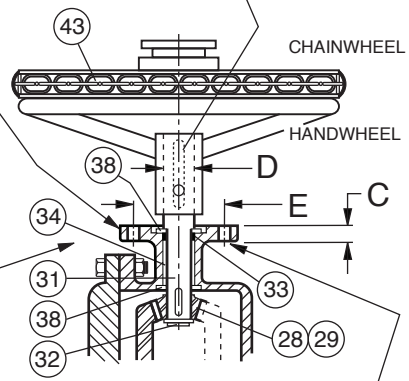


DIMENSION, INCHES									
ACT. SIZE	NO. OF TURNS	A	B	C	D	E	F	G	H
LS-5.2A	187	9.39	2.39	0.63	1.25	4.00	0.25	1.94	4.88
LS-6A	290	11.98	2.39	0.63	1.25	4.00	0.25	1.94	4.88
LS-7A	579	14.04	2.39	0.63	1.25	4.00	0.25	1.94	4.88

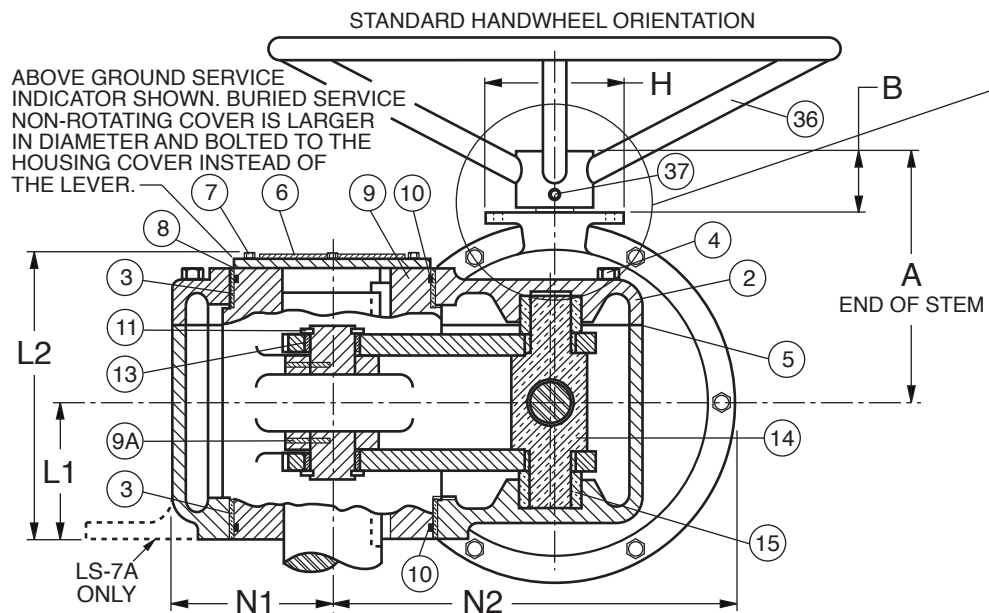
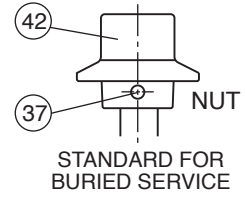
DIMENSION, INCHES									
ACT. SIZE	J	K	L1	L2	M1	M2	N1	N2	N3
LS-5.2A	0.44	8.50	5.13	10.91	23.34	17.75	6.25	12.13	—
LS-6A	0.44	10.50	6.50	13.59	29.44	21.88	8.63	15.13	—
LS-7A	0.44	14.00	9.00	18.71	37.40	28.75	9.00	20.25	13.13

INTEGRAL SOIL PIPE ALIGNMENT/ MOTOR ATTACHMENT FLANGE. (MEETS MSS SP-101, FA10)

KEYWAY
F WIDE X G LONG



INPUT SHAFT DETAIL VIEW
(4) HOLES J DIA. STRADDLING ϕ



ABOVE GROUND SERVICE INDICATOR SHOWN. BURIED SERVICE NON-ROTATING COVER IS LARGER IN DIAMETER AND BOLTED TO THE HOUSING COVER INSTEAD OF THE LEVER.

STANDARD HANDWHEEL ORIENTATION

A
END OF STEM

Revised 6-8-12

TRAVELING NUT ACTUATOR

DATE 8-22-08