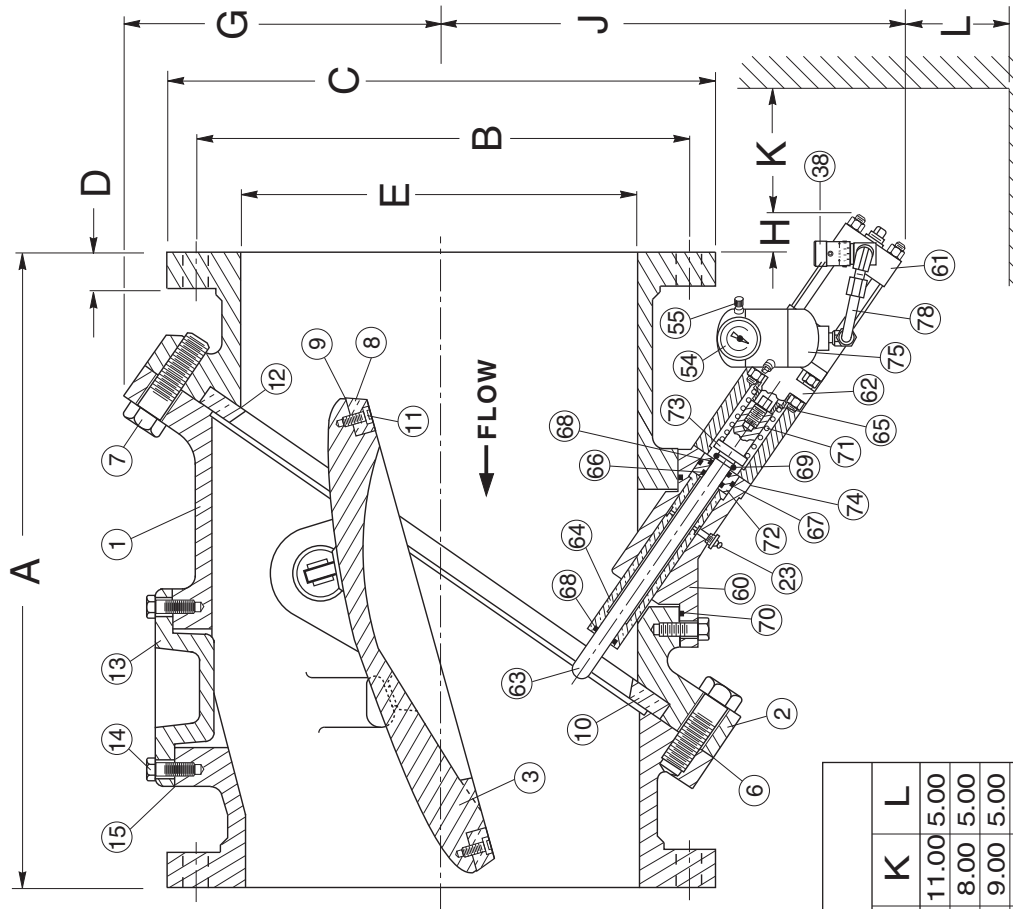


SEE DRAWING NO. VM-9712B-M FOR ANSI CLASS 250 MATERIALS OF CONSTRUCTION.

ANSI CLASS 250														
VALVE SIZE	MODEL NO.	A	B	C	D	E	F	G	H	J	K	L		
		BOLT SIZE												
		NO. OF BOLTS												
12	9712B	24.00	17.75	20.50	2.00	12.00	26.00	11.00	1 1/8	16	7.00	20.00	11.00	5.00
14	9714B	30.00	20.25	23.00	2.13	14.00	29.00	12.00	1 1/8	20	4.00	21.00	8.00	5.00
16	9716B	30.00	22.50	25.50	2.25	16.00	32.00	14.00	1 1/4	20	5.00	23.00	9.00	5.00
18	9718B	33.00	24.75	28.00	2.38	18.00	36.00	15.00	1 1/4	24	3.00	24.00	7.00	5.00
20	9720B	32.00	27.00	30.50	2.50	20.00	39.00	16.00	1 1/4	24	3.00	25.00	8.00	6.00
24	9724B	38.00	32.00	36.00	2.75	24.00	46.00	19.00	1 1/2	24	1.00	27.00	4.00	6.00
30	9730B	52.00	39.25	43.00	3.00	30.00	55.00	23.00	1 3/4	28	1.00	35.00	6.00	8.00
36	9736B	59.50	46.00	50.00	3.38	36.00	65.00	27.00	2	32	5.00	39.00	2.00	8.00
42	9742B	62.50	52.75	57.00	3.69	42.00	73.00	32.00	2	36	5.00	43.00	5.00	8.00
48	9748B	65.00	60.75	65.00	4.00	48.00	82.00	37.00	2	40	2.00	52.00	8.00	8.00
54	9754B	78.00	*	*	*	54.00	89.00	39.00	*	*	7.00	55.00	5.00	8.00
60	9760B	87.00	*	*	*	60.00	99.00	42.00	*	*	7.00	64.00	5.00	8.00



**NOTES:**

DIMENSIONS "K" AND "L" REPRESENT THE MINIMUM CLEARANCE REQUIRED TO REMOVE DASHPOT UNIT. HOWEVER DIMENSION "L" CAN BE REDUCED TO 1" IF SPACE REQUIREMENTS DICTATE.

\* FLANGE DIMENSIONS INDICATED BY ASTERISK TO BE SPECIFIED BY CUSTOMER.

FOR VERTICAL FLOW UP INSTALLATION, CONSULT FACTORY.

Revised 8-4-16

ANSI CLASS 250 TILTED DISC® CHECK VALVE WITH BOTTOM MOUNTED OIL DASHPOT

DATE 8-12-80

DRWG. NO.

VM-9712B



VALVE AND MANUFACTURING CORP.