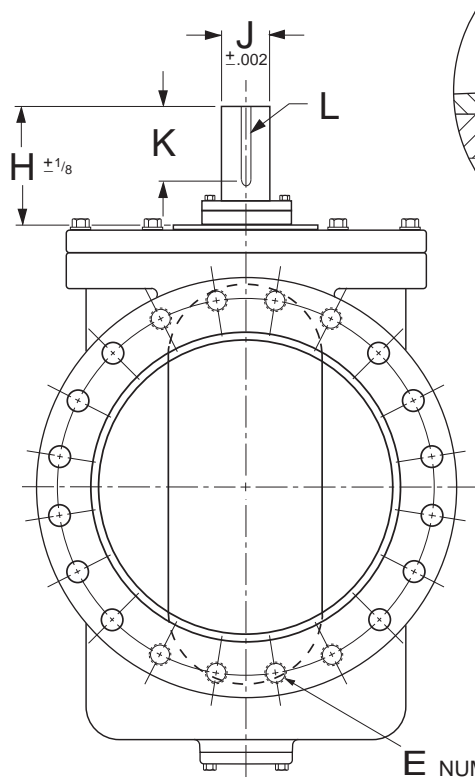
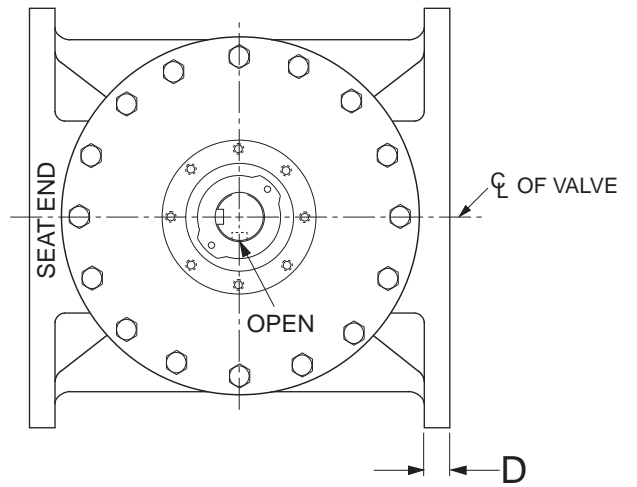
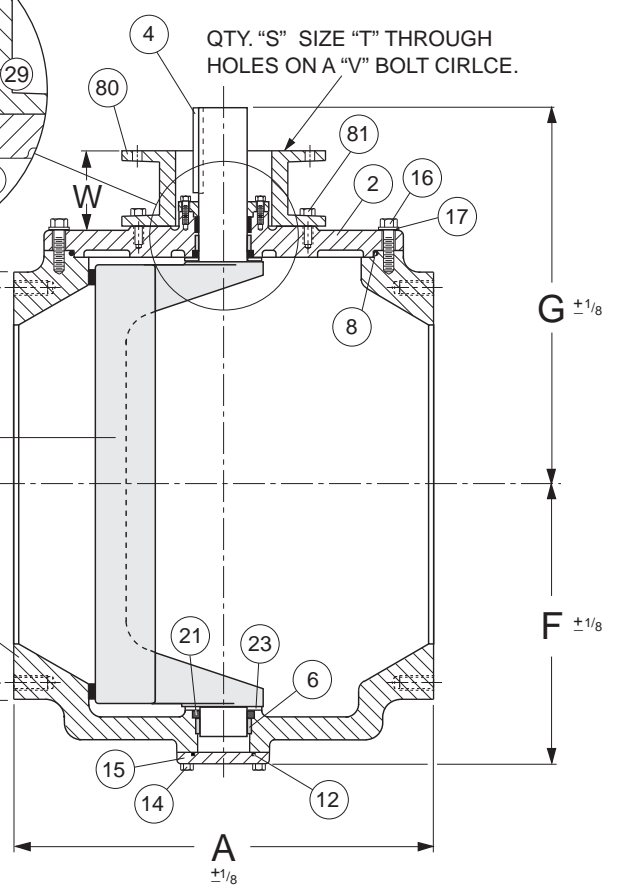
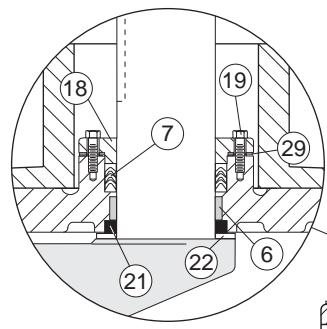


QTY. 8 SIZE Q x R
DEEP TAPPED HOLES.

ACTUATOR MOUNTING DIMENSIONS
ON VALVE COVER



COLD WORKING PRESSURE
150 P.S.I.
HYDRO TEST PRESSURE
225 P.S.I.



SEE DRAWING NO. VM-5842R-M FOR STANDARD MATERIALS OF CONSTRUCTION. END FLANGE DRILLING CONFORMS TO ANSI B16.1

VALVE SIZE	A	B	C	D	E Qty	E Tap	E Deep	F	G	H	J	K	L	M	N	O	P	Q	R	S	T	V	W
42	62.00	49.50	53.00	2.63	12	1 1/2	2.63	36.50	46.50	14.00	6.745	9.13	1 3/4 SQ	5.760	17.25	15.00	11.50	1 1/4-7	1 1/4	8	1 3/8	16.00	6.75
48	84.00	56.00	59.50	2.75	—	—	—	38.50	53.80	16.00	8.000	11.00	2" SQ	7.123	22.00	19.00	13.00	1 1/4-7	1 3/8	12	1 3/8	19.00	7.28

Revised 6-24-11

ANSI CLASS 125 FLANGED CAM-CENTRIC® RECTANGULAR PLUG VALVE WITH BARE STEM

DATE 1-26-10

VAL-MATIC® VALVE AND MANUFACTURING CORP.

DRWG. NO. VM-5842R