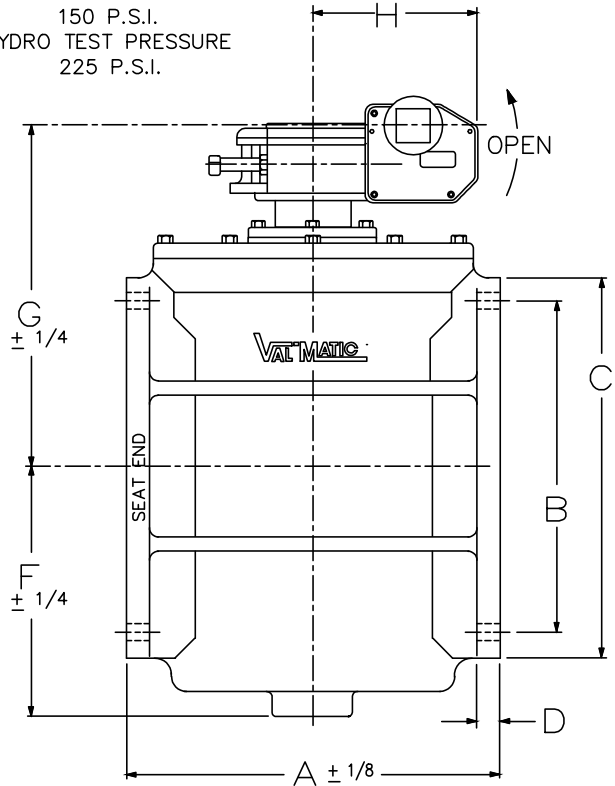


COLD WORKING PRESSURE
150 P.S.I.
HYDRO TEST PRESSURE
225 P.S.I.



SEE DRAWING NO. VM-5842R-M FOR STANDARD MATERIALS OF CONSTRUCTION

END FLANGE DRILLING CONFORMS TO ANSI B16.1

VALVE SIZE	MODEL NO.	PRESS. RATING P.S.I.		A	B	C	D	E Qty	E Tap	E Deep	F	G	H	J	K	BOLT SIZE	NO. OF BOLTS	NO. OF TURNS	% OF STD. WT. PIPE
		REVERSE	DIRECT																
42	5842R/8Z02	150	150	62.00	49.50	53.00	2.63	12	11/2-61	5/8	36.50	44.00	14.00	49.00	25.25	1 1/2	36	630	75
48	5848R/8Z02	150	150	84.00	56.00	59.50	2.75	—	—	—	38.50	48.46	10.90	54.16	27.60	1 1/2	44	630	104
54	5854R/8Z02	150	150	96.00	62.75	66.25	3.00	—	—	—	38.50	48.46	10.90	54.16	27.60	1 3/4	44	630	82

Revised 6-15-18

ANSI CLASS 125 CAM-CENTRIC® FLANGED PLUG VALVE WITH WORM GEAR ACTUATOR

DATE 1-10-12

VAL-MATIC®

VALVE AND MANUFACTURING CORP.

DRWG. NO.

VM-5842R/BWGA