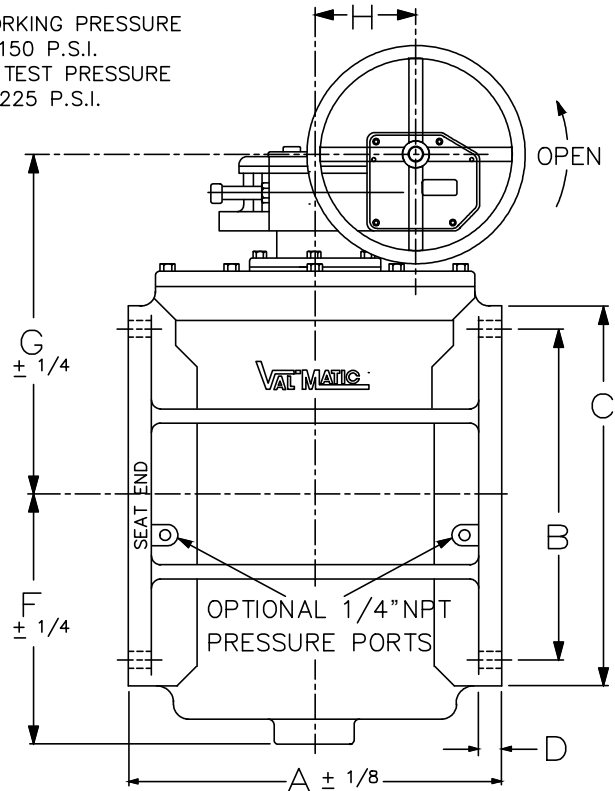


COLD WORKING PRESSURE  
150 P.S.I.  
HYDRO TEST PRESSURE  
225 P.S.I.



SEE DRAWING NO. VM-5804RN-M FOR STANDARD MATERIALS OF CONSTRUCTION.

\* ASTERISK INDICATES VALVE MODEL NUMBERS W/O SPUR GEAR

VALVE SIZE	MODEL NO.	PRESS. RATING P.S.I.		HD. WHEEL DIA.	A	B	C	D	E Qty	E Tap	E Deep	F	G	H	J	K	BOLT SIZE	NO. OF BOLTS	NO. OF TURNS	% OF STD. PIPE WT.
		REVERSE	DIRECT																	
14	5814R/7E18 *	50	100	18	17.00	18.75	21.00	1.38	4	1-8	1.56	13.0	19.3	5.62	22.0	17.5	1	12	20	86
	5814R/7F24 *	100	150	24									18.9							
	5814R/7G12	150	150	12									21.2	9.69	23.0	15.5				
16	5816R/7E24 *	50	100	24	17.75	21.25	23.50	1.44	8	1-8	1.44	14.5	20.6	5.62	23.3	18.9	1	16	20	86
	5816R/7F30 *	100	150	30									20.4							
	5816R/7G14	150	150	14									22.5	9.69	24.4	16.5				
18	5818R/7J30 *	50	100	30	21.50	22.75	25.00	1.56	8	1 1/8-7	1.87	16.3	22.3	5.62	24.7	20.4	1 1/2	16	60	83
	5818R/7K18	100	150	18									19.1							
	5818R/7L24	150	150	24									20.4							
20	5820R/7M18	50	100	18	23.50	25.00	27.50	1.69	8	1 1/8-7	1.87	17.5	26.3	7.30	27.7	19.1	1 1/2	20	60	83
	5820R/7N24	100	150	24									20.4							
	5820R/7P30	150	150	30									21.9							
24	5824R/7M24	50	100	24	30.00	29.50	32.00	1.88	8	1 1/4-7	1.87	20.3	29.0	7.30	30.4	20.4	1 1/2	20	60	83
	5824R/7N30	100	150	30									21.9							
	5824R/7Q36	150	150	36									28.8	5.93	30.4	23.3				
30	5830R/7R24	50	100	24	37.50	36.00	38.75	2.12	8	1 1/4-7	2.12	24.0	31.0	3.03	35.1	21.9	1 1/2	28	85	75
	5830R/7S30	100	150	30									23.4							
	5830R/7T30	150	150	36									33.2	10.7	38.9	31.7				
36	5836R/7S30	50	100	30	52.00	42.75	46.00	2.38	16	1 1/2-6	2.38	29.0	33.0	3.03	37.1	23.4	1 1/2	32	85	75
	5836R/7V24	100	150	24									28.8							
	5836R/7W36	150	150	36									35.2	10.7	40.9	31.7				

Revised 6-15-18

ANSI CLASS 125 CAM-CENTRIC® FLANGED PLUG VALVE WITH WORM GEAR ACTUATOR

DATE 10-19-95

**VAL-MATIC®**

VALVE AND MANUFACTURING CORP.

DRWG. NO.

VM-5814R/WGA