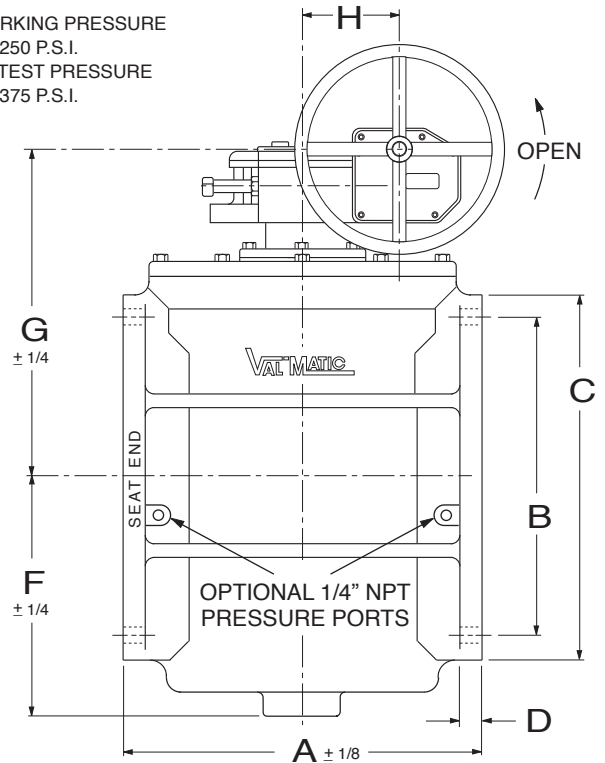


COLD WORKING PRESSURE
250 P.S.I.
HYDRO TEST PRESSURE
375 P.S.I.



SEE DRAWING NO. VM-5804HP-M FOR STANDARD MATERIALS OF CONSTRUCTION.

VALVE SIZE	MODEL NO.	PRESS. RATING P.S.I.		HD. WHEEL DIA.	A	B	C	D	E Qty	E Tap	E Deep	F	G	H	J	K	BOLT SIZE	NO. OF BOLTS	NO. OF TURNS
		REVERSE	DIRECT																
14	5814HP/7G12	250	250	12.00	17.00	18.75	21.00	1.38	4	1-8	1.56	13.00	21.25	9.69	23.31	14.00	1	12	20
16	5816HP/7G18	250	250	18.00	17.75	21.25	23.50	1.44	8	1-8	1.44	14.50	22.56	9.69	24.62	15.62	1	16	20
18	5818HP/7L24	250	250	24.00	21.50	22.75	25.00	1.56	8	1 1/8-7	1.87	16.25	25.12	7.38	25.25	19.25	1 1/8	16	60
20	5820HP/7P30	250	250	30.00	23.50	25.00	27.50	1.69	8	1 1/8-7	1.87	17.50	26.25	7.38	26.25	21.88	1 1/8	20	60
24	5824HP/7Q36	250	250	36.00	30.00	29.50	32.00	1.88	8	1 1/4-7	1.87	20.25	29.00	6.00	29.00	23.25	1 1/4	20	90

Revised 10-16-12

ANSI CLASS 125 CAM-CENTRIC® FLANGED PLUG VALVE WITH WORM GEAR ACTUATOR

DATE 4-7-10

VAL-MATIC®

VALVE AND MANUFACTURING CORP.

DRWG. NO.

VM-5814HP/WGA