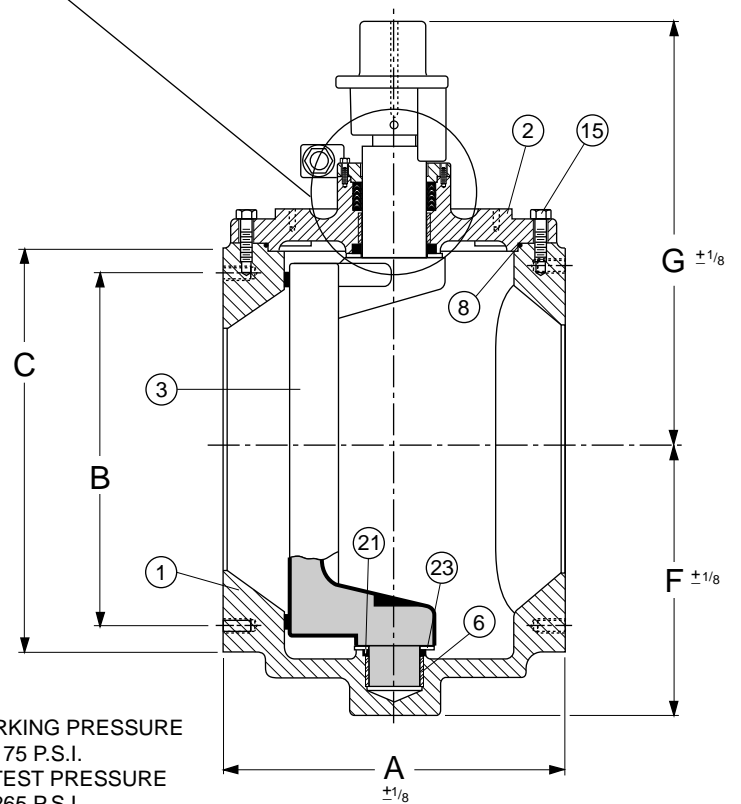


E NUMBER OF TAPPED HOLES PER FLANGE.
H DEEP

COLD WORKING PRESSURE
175 P.S.I.
HYDRO TEST PRESSURE
265 P.S.I.



SEE DRAWING NO. VM-5804RN-M FOR STANDARD MATERIALS OF CONSTRUCTION.

| VALVE SIZE | MODEL NO. | Press. Rating P.S.I. | | A | B | C | D | E | F | G | H | BOLT SIZE | NO.OF BOLTS |
|------------|-----------|----------------------|--------|--------|-------|----|-----|---|-------|--------|-----|-----------|-------------|
| | | Reverse | Direct | | | | | | | | | | |
| 6 | 5606RN | 50 | 100 | 13 1/2 | 9 1/2 | 11 | 3/4 | 4 | 8 3/4 | 13 7/8 | 7/8 | 3/4-10 | 8 |

Revised 5-19-04

100% PORT ANSI CLASS 125 FLANGED CAM-CENTRIC® PLUG VALVE WITH DIRECT NUT

DATE 2-24-03

VAL-MATIC® VALVE AND MANUFACTURING CORP.

DRWG. NO.

VM-5606RN