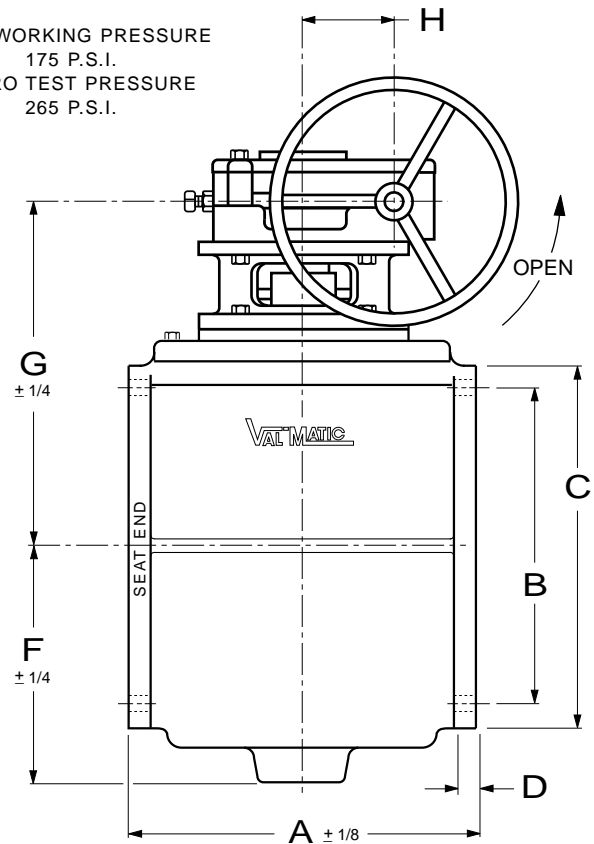


COLD WORKING PRESSURE  
175 P.S.I.  
HYDRO TEST PRESSURE  
265 P.S.I.



SEE DRAWING NO. VM-5804RN-M FOR STANDARD MATERIALS OF CONSTRUCTION.

VALVE SIZE	MODEL NO.	PRESS. RATING P.S.I.		A	B	C	D	E	F	G	H	J	K	BOLT SIZE	NO. OF BOLTS
		REVERSE	DIRECT												
6	5606R/7A12	100	175	13 1/2	9 1/2	11	3/4	4	8 3/4	12 5/8	3 1/16	14 1/2	9 3/8	3/4	8
	5606R/7B16	175	175												
8	5608R/7C12	100	175	18	11 3/4	13 1/2	7/8	4	10 7/16	16 1/4	4 3/4	19	9 11/16	3/4	8
	5608R/7D16	175	175												
10	5610R/7C16	100	175	17	14 1/4	16	1	8	12 1/4	17 11/16	4 3/4	20 7/16	9 11/16	7/8	12
	5610R/7D24	175	175												

100% PORT ANSI CLASS 125 FLANGED CAM-CENTRIC® PLUG VALVE WITH WORM GEAR ACTUATOR

DATE Revised 10-1-03  
6-16-99

**VAL-MATIC®** VALVE AND MANUFACTURING CORP.

DRWG. NO.  
VM-5606R/WGA