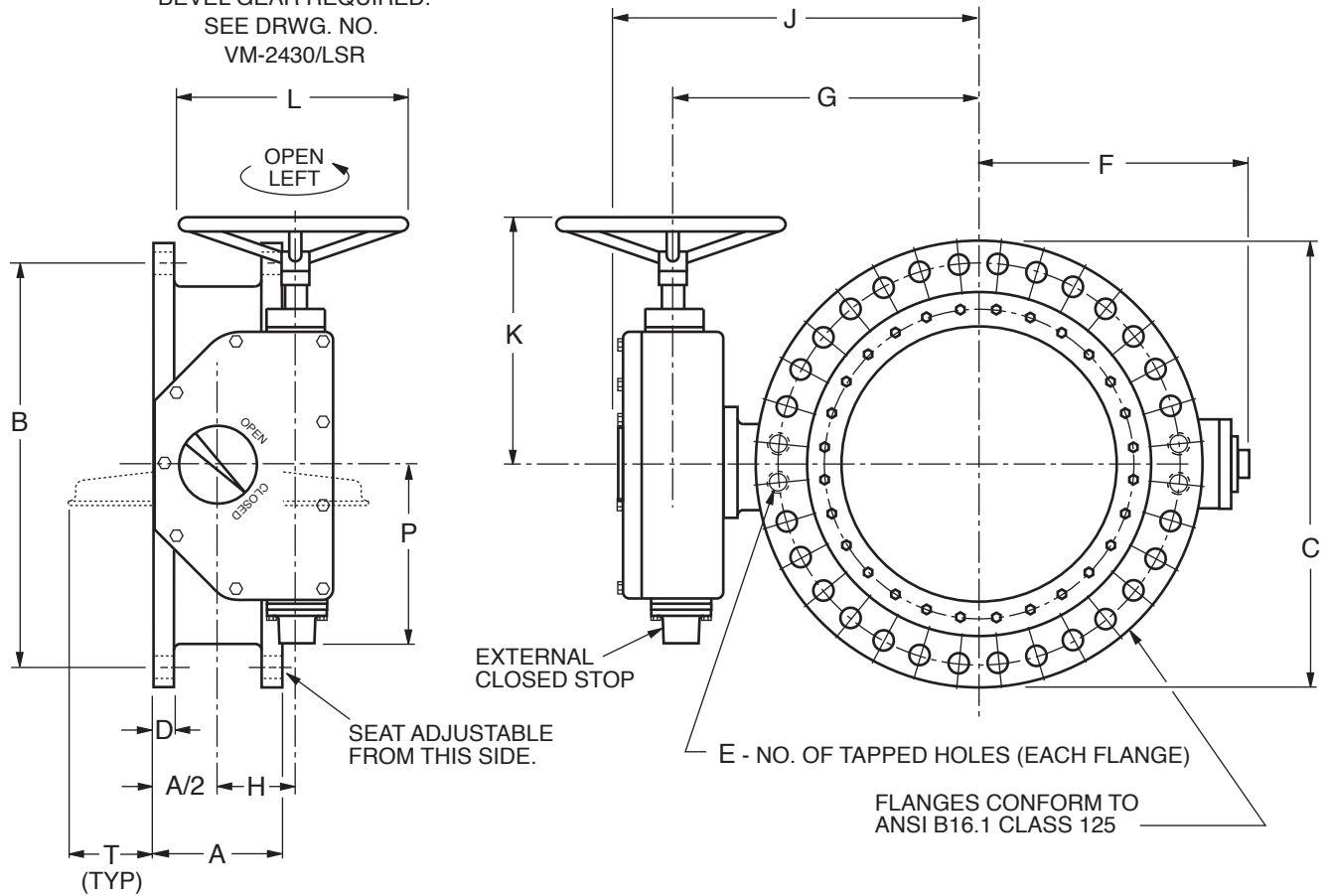


NOTE:
FOR OPEN RIGHT ROTATION,
BEVEL GEAR REQUIRED.
SEE DRWG. NO.
VM-2430/LSR



COLD WORKING PRESSURE 250 PSI (250B)

CLASS 125 LB. DUCTILE IRON DIMENSIONS, INCHES

VALVE SIZE	AWWA C504 CLASS	A	B	C	D	E Qty.	E Tap	E Deep	F	G	H	J	K	L	P	T	TURNS TO OPEN	NO. OF BOLTS	BOLT SIZE	ACTUATOR SIZE	SHPG. WT. LB.
30	250B	12.00	36.00	38.75	2.12	4	1 1/4-7	2.00	27.38	29.12	8.50	34.50	31.00	24.00	17.75	8.88	63	28	1 1/4	LS-5A	2435
36	250B	12.00	42.75	46.00	2.38	4	1 1/2-6	2.38	29.50	31.88	8.50	37.25	31.00	24.00	17.75	11.88	63	32	1 1/2	LS-5A	3425

Revised 1-22-14

250B / 125 LB. DUCTILE IRON FLANGED BUTTERFLY VALVE WITH HANDWHEEL ACTUATOR AND POSITION INDICATOR

DATE 3-12-11

VAL-MATIC[®] VALVE AND MANUFACTURING CORP.

DRWG. NO.
VM-2430/LS