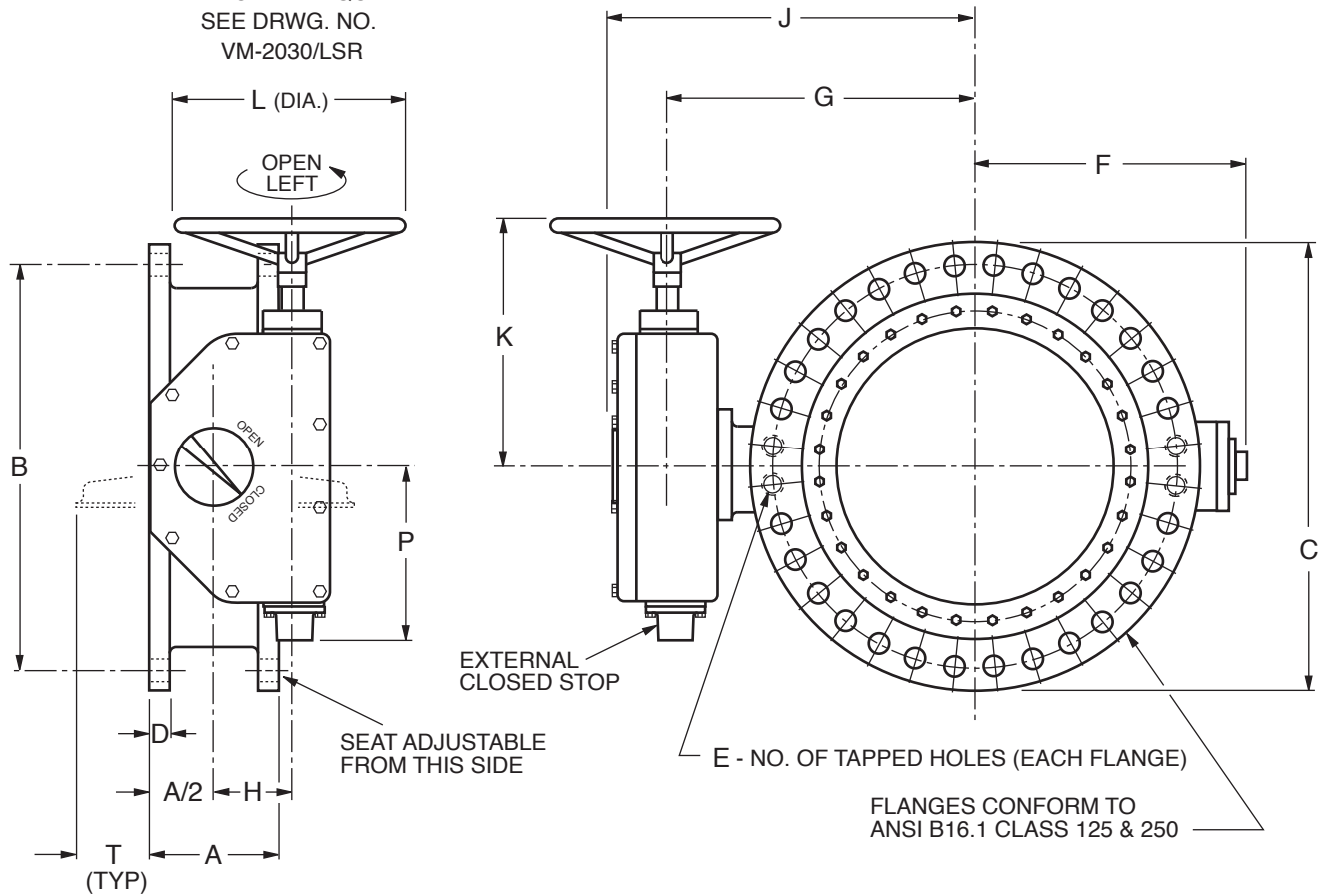


NOTE:
FOR OPEN RIGHT ROTATION,
BEVEL GEAR REQUIRED.
SEE DRWG. NO.
VM-2030/LSR



COLD WORKING PRESSURE 150 PSI (150B) 250 PSI (250B)

DIMENSIONS, INCHES

VALVE SIZE	AWWA C504 CLASS	A	B	C	D	E Qty.	E Tap	E Deep	F	G	H	J	K	L	P	T	TURNS TO OPEN	NO. OF BOLTS	BOLT SIZE	ACTUATOR SIZE	SHPG WT. lb.
30	150B	12.00	36.00	38.75	2.12	4	1 1/4-7	2.00	27.38	29.38	8.50	35.19	29.56	24.00	17.75	8.81	59.3	28	1 1/4	LS-5A	2190
	250B	13.75	39.25	43.00	3.00		1 3/4-5	3.00								7.88		1 3/4			2713
36	150B	12.00	42.75	46.00	2.38	4	1 1/2-6	2.38	29.50	32.12	8.50	37.94	29.56	24.00	17.75	11.81	59.3	32	1 1/2	LS-5A	2949
	250B	14.00	46.00	50.00	3.38		2-4 1/2	3.38								10.75		2			3980

Revised 1-22-14

150B & 250B FLANGED BUTTERFLY VALVE WITH TRAVELING NUT ACTUATOR, HANDWHEEL, EXTERNAL CLOSE STOPS AND POSITION INDICATOR

DATE 3-8-11

VAL-MATIC[®]

VALVE AND MANUFACTURING CORP.

DRWG. NO.

VM-2030/LS