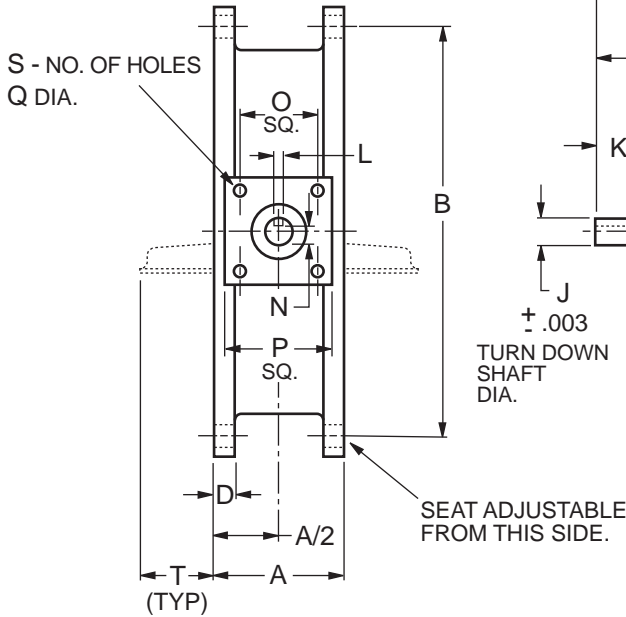
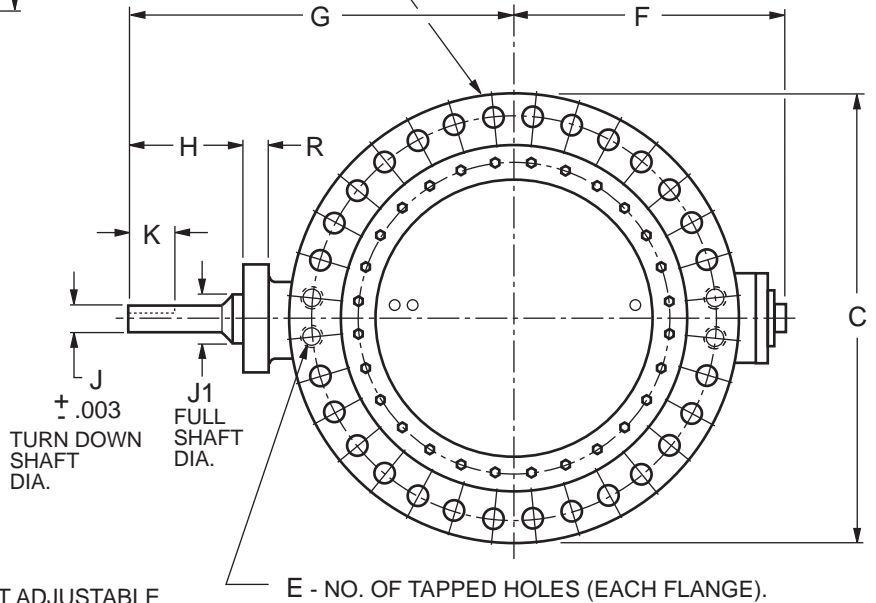


72"-108" DETAIL



FLANGES CONFORM TO ANSI B16.1 CLASS 125 & 250



COLD WORKING PRESSURE 150 PSI (150B) 250 PSI (250B)

FLANGE DIMENSIONS, INCHES

VALVE SIZE	AWWA C504 CLASS	A	B	C	D	NO. OF BOLTS	E Qty.	E Tap	E Deep	F	G	H	J	J1	K	L	O	P	Q	R	S	T	SHPG WT. lb.
30	150B	12.00	36.00	38.75	2.12	28	4	1 1/4-7	2.00	27.38	29.50	5.50	3.750	3.75	4.44	.875	8.485	10.50	1.25	2.25	4	8.88	1710
	250B	13.75	39.25	43.00	3.00	28	4	1 3/4-5	3.00	27.38	31.63	6.38	±.003	3.75	4.44	.875	8.485	10.50	1.25	1.12	4	8.00	2100
36	150B	12.00	42.75	46.00	2.38	32	4	1 1/2-6	2.38	29.50	32.12	5.38	3.750	4.50	4.44	.875	8.485	10.50	1.25	2.25	4	11.88	2470
	250B	14.00	46.00	50.00	3.38	32	4	2-4 1/2	3.38	29.50	35.56	6.94	±.003	4.50	4.44	.875	8.485	10.50	1.25	1.12	4	10.88	3050
42	150B	12.00	49.50	53.00	2.62	36	4	1 1/2-6	2.50	35.25	36.88	6.12	5.000	5.00	4.75	1.25	8.485	10.50	1.25	2.25	4	14.75	4020
	250B	14.13	52.75	57.00	3.69	36	4	2-4 1/2	3.12	35.25	36.88	6.12	±.005	5.00	4.75	1.25	8.485	10.50	1.25	1.25	4	13.69	4750
48	150B	15.00	56.00	59.50	2.75	44	4	1 1/2-6	2.50	39.31	44.12	9.12	5.750	5.75	6.75	1.50	11.844	15.00	1.63	2.50	4	16.25	6420
	250B	17.50	60.75	65.00	4.00	40	4	2-4 1/2	4.00	39.31	46.88	9.12	±.008	5.75	6.75	1.50	11.844	15.00	1.63	1.50	4	15.00	7600
54	150B 250B	15.00	62.75	66.25	3.00	44	8	1 3/4-5	2.63	44.25	48.06	9.12	6.750	6.75	6.75	1.75	11.844	15.00	1.63	2.50	4	19.25	8500
60	150B 250B	15.00	69.25	73.00	3.12	52	8	1 3/4-5	2.63	48.25	51.94	9.12	6.750	7.25	6.75	1.75	11.844	15.00	1.63	2.50	4	22.25	12100
66	150B 250B	18.00	76.00	80.00	3.38	52	8	1 3/4-5	2.63	53.31	58.25	9.12	6.750	7.75	6.75	1.75	11.844	15.00	1.63	2.50	4	23.69	14050
72	150B 250B	18.00	82.50	86.50	3.50	60	8	1 3/4-5	2.38	59.00	62.75	10.75	8.000	8.50	8.75	2.00	23.00	26.25	1.38	2.50	8	26.69	15200
78	150B	18.00	89.00	93.00	2.75	64	8	2-4 1/2	2.50	54.50	64.63	12.50	7.250	7.25	9.00	1.750	23.00	26.25	1.38	2.50	8	29.00	13000
84A	150B	19.00	95.50	99.75	2.88	64	8	2-4 1/2	2.88	58.75	67.25	11.50	7.750	7.75	10.00	2.000	23.00	26.25	1.38	2.50	8	31.50	14100
90	150B	20.00	102.00	106.50	3.00	68	8	2 1/4-4 1/2	3.00	62.88	73.50	14.50	8.000	8.50	11.00	2.000	23.00	28.00	1.38	2.50	8	34.00	17400
96	150B	21.00	108.50	113.25	3.25	68	8	2 1/4-4 1/2	3.25	68.50	75.13	12.75	10.000	10.00	9.25	2.500	23.74	28.00	1.53	3.25	20	36.50	21100
102	150B	24.00	114.50	120.00	3.25	72	8	2 1/2-4	3.25	71.70	81.25	14.75	10.000	10.00	11.00	2.500	23.74	28.00	1.53	3.25	20	38.00	24800
108	150B	24.00	120.75	126.75	3.38	72	8	2 1/2-4	3.38	75.38	84.88	15.00	10.000	10.00	13.00	2.500	23.74	28.00	1.53	3.25	20	41.00	28700

SEE DRAWING SS-1993 AND SS-2039 FOR INSTALLATION AND TESTING.

Revised 11-20-09

150B & 250B FLANGED BUTTERFLY VALVE WITH BARE STEM

DATE 5-10-01

VAL-MATIC VALVE AND MANUFACTURING CORP.

DRWG. NO. VM-2030/BS