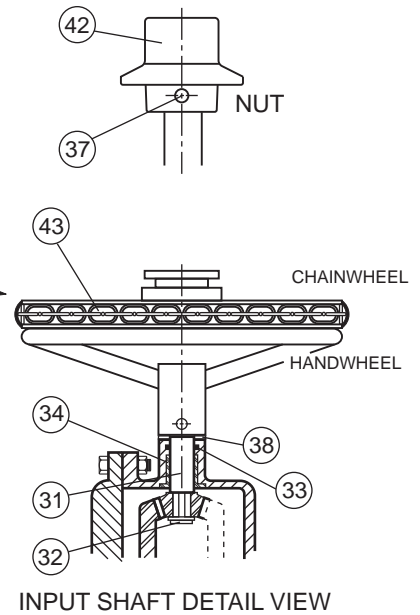
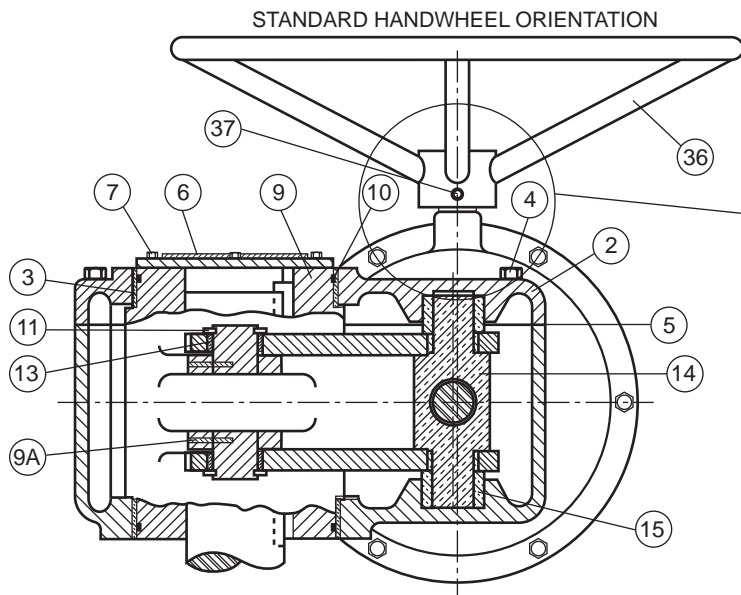


SEE DRWG. NO. VM-1H24-M FOR STANDARD MATERIALS OF CONSTRUCTION.

VALVE SIZE	150B MODEL NO.				250B MODEL NO.			
	HW	CHW	HW/CHW DIA.	NUT	HW	CHW	HW/CHW DIA.	NUT
42	1H24	1H24C	24"	1H02	1H24	1H24C	24"	1H02
48	1J24	1J24C	24"	1J02	1J24	1J24C	24"	1J02
54	1K24	1K24C	24"	1K02	—	—	—	—
60	1K24	1K24C	24"	1K02	—	—	—	—
66	1K24	1K24C	24"	1K02	—	—	—	—
72	1L24	1L24C	24"	1L02	—	—	—	—
78	1M24	1M24C	24"	1M02	—	—	—	—
84	1L24	1L24C	24"	1L02	—	—	—	—
84A	1N30	1N30C	30"	1N02	—	—	—	—
90	1L36	1L36C	36"	1L02	—	—	—	—

**NOTES**

1. OPERATOR HOUSING AND BEVEL GEAR HOUSING CONNECTION SEALED WITH LIQUID GASKET.
2. THE DIRECTION OF OPENING MAY BE REVERSED BY SIMPLY CHANGING POSITION OF BEVEL GEAR AS SHOWN BY DOTTED LINES. SOLID LINES - OPEN LEFT. DOTTED LINES - OPEN RIGHT.
3. OPERATOR MEETS AWWA SPECIFICATIONS C-504, LATEST REVISION.



Revised 11-21-07

ABOVE GROUND SERVICE TRAVELING NUT ACTUATOR FOR BUTTERFLY VALVE

DATE 10-25-99

**VAL-MATIC**® VALVE AND MANUFACTURING CORP.

DRWG. NO. VM-1H24