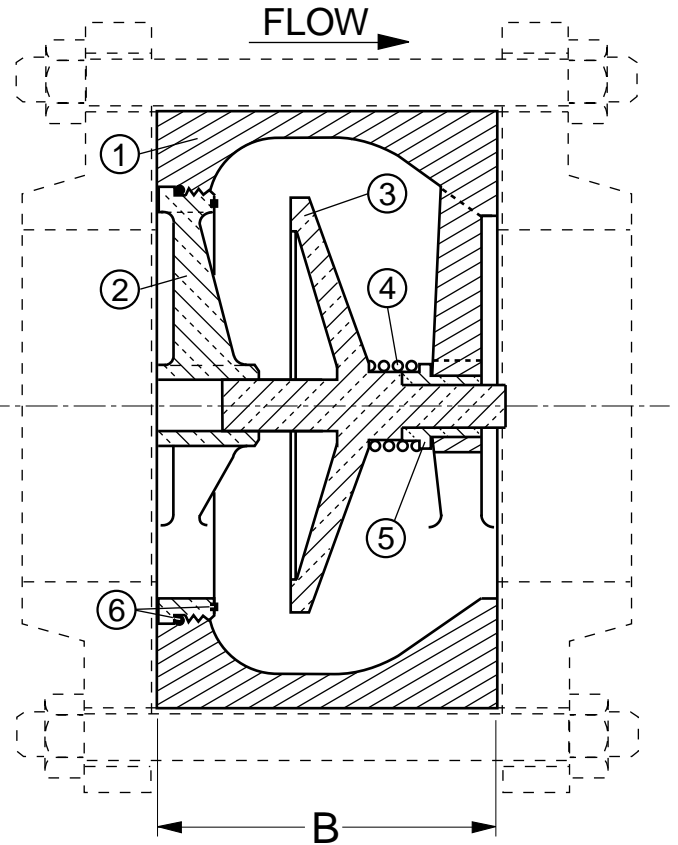
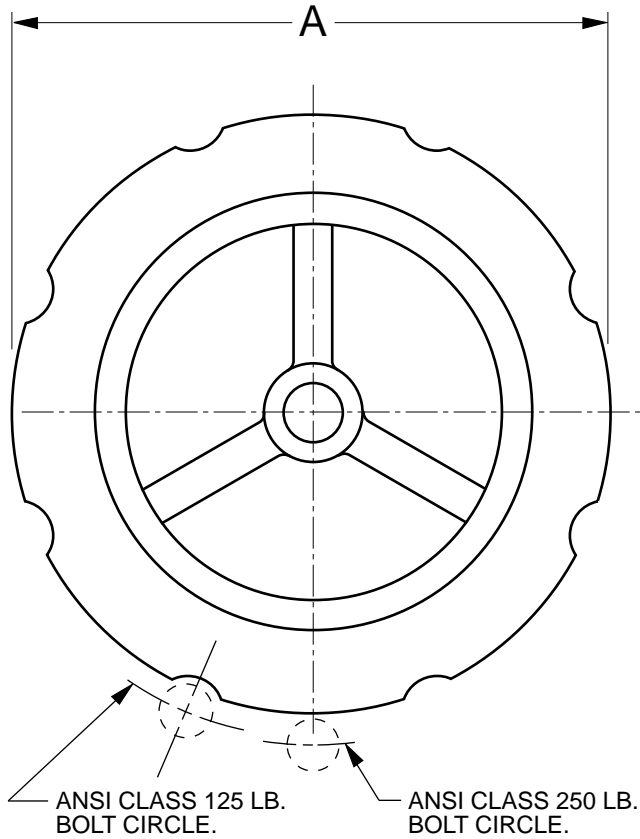


FLANGES, BOLTS, NUTS AND GASKETS ARE SUPPLIED BY OTHERS.



PART NO.	NAME	PART NO.	NAME
1	BODY	4	SPRING
2	SEAT	5	BUSHING
3	DISC	6	O-RING

SEE DRAWING NO. VM-1402ABN-M FOR STANDARD MATERIALS OF CONSTRUCTION.

VALVE SIZE	MODEL* NO.	ANSI CLASS	CWP (P.S.I.)	A	B
2	1402ABN	125/250	400	4 1/4	2 5/8
2 1/2	1425ABN	125/250	400	5	2 7/8
3	1403ABN	125/250	400	5 3/4	3 1/8
4	1404ABN	125/250	400	7	4
5	1405ABN	125/250	400	8 3/4	4 3/4
6	1406ABN	125/250	400	9 3/4	5 1/2
8	1408ABN	125	200	13 3/8	6 1/2
8	1458ABN	250	400	13 3/8	6 1/2
10	1410ABN	125	200	16	8 1/4
10	1460ABN	250	400	16	8 1/4

* MODEL NUMBERS REFLECT BRONZE TRIM.

WAFER STYLE SILENT CHECK VALVE

DATE 10-25-04

VAL-MATIC[®]

VALVE AND MANUFACTURING CORP.

DRWG. NO.

VM-1402ABN