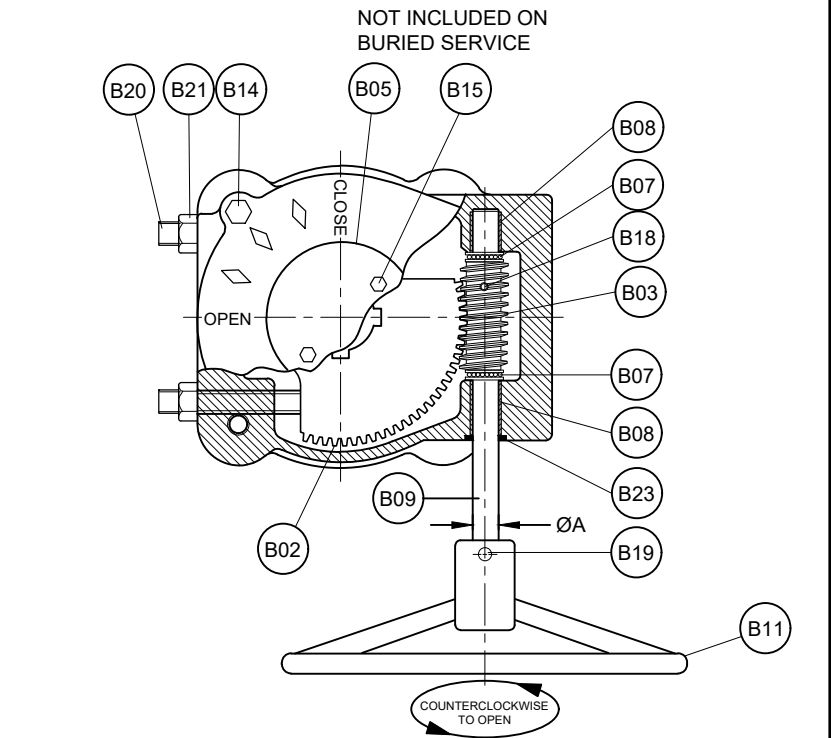
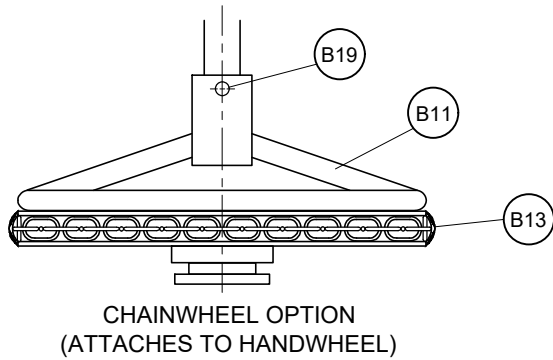
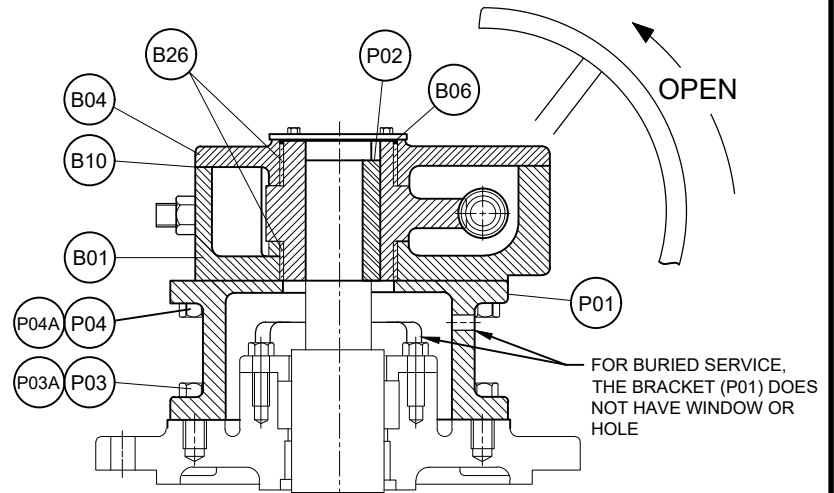


**BURIED SERVICE
DETAIL**



**ACTUATOR DETAIL
(PLANT SERVICE SHOWN)**



VALVE SIZE	FLANGED VALVE MODEL #	MJ VALVE MODEL #	GEAR MODEL #	ØA (INPUT DIA)	# OF TURNS	PRESSURE RATING (PSI)		ABOVE GROUND SERVICE CODES							BURIED SERVICE CODES	
						REVERSE	DIRECT	STANDARD HW GEAR CODE	HAND WHEEL DIA.	HAND WHEEL PART #	STANDARD CHAIN WHEEL CODE	CHAIN WHEEL DIA	CHAIN WHEEL PART #	2" NUT (A.G)	2" NUT (B.S.)	2" NUT PART #
3	5603F	5703F	C50	0.750	12 ½	175	175	1A08	8	AHW08-2	1A08C	8	ACW08-2	1A02	2A02	AN02-1
4	5604F	5704F	C50	0.750	12 ½	175	175	1A08	8	AHW08-2	1A08C	8	ACW08-2	1A02	2A02	AN02-1
6	5606F	5706F	C50	0.750	12 ½	175	175	1A16	16	AHW16-2	1A16C	16	ACW16-2	1A02	2A02	AN02-1
			C50	0.750	12 ½	100	175	1A12	12	AHW12-2	1A12C	12	ACW12-2	1A02	2A02	AN02-1
8	5608F	5708F	C50	0.750	12 ½	175	175	1B16	16	AHW16-2	1B16C	16	ACW16-2	1B02	2B02	AN02-1
			C80	1.000	20	100	175	1C12	12	AHW12	1C12C	12	ACW12	1C02	2C02	AN02
10	5610F	5710F	C80	1.000	20	175	175	1D16	16	AHW16	1D16C	16	ACW16	1D02	2D02	AN02
			C80	1.000	20	100	175	1C16	16	AHW16	1C16C	16	ACW16	1C02	2C02	AN02
12	5612F	5712F	C80	1.000	20	100	175	1D24	24	AHW24	1D24C	24	ACW24	1D02	2D02	AN02
			C80	1.000	20	175	175									

REV 10/13/25

3" - 12" PLUG VALVE WORM GEAR ACTUATOR

DATE **5/13/2024**

VAL-MATIC® VALVE AND MANUFACTURING CORP.

DRWG. NO. **VM-PV-1A00**