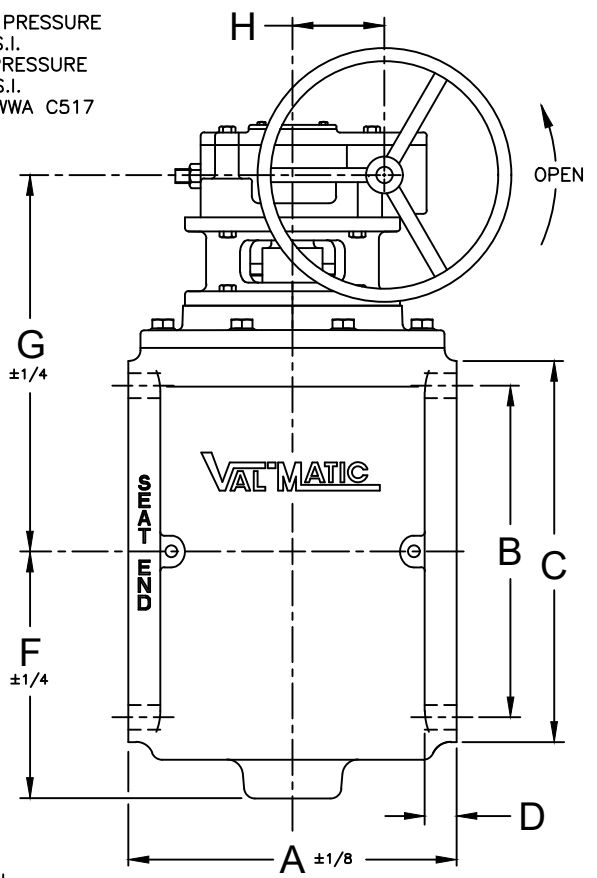


COLD WORKING PRESSURE  
175 P.S.I.  
HYDRO TEST PRESSURE  
265 P.S.I.  
TESTED PER AWWA C517



SEE DRAWING NO. VM-5603F-M FOR STANDARD MATERIALS OF CONSTRUCTION.

VALVE SIZE	MODEL NO.	ACTUATOR PRESSURE RATING (PSI)		HAND WHEEL DIA.	A	B	C	D	E QTY.	E TAP	E DEEP	F	G	H	J	K	BOLT SIZE	NO. OF BOLTS
		REVERSE	DIRECT															
3	5603F/5A08A	175	175	8	8.00	6.00	7.50	0.75	2	5/8-11	0.75	4.47	7.50	3.06	10.0	13.1	5/8	4
4	5604F/5A08	175	175	8	9.00	7.50	9.00	0.94	2	5/8-11	0.94	5.63	9.31	3.06	11.2	13.1	5/8	8
6	5606F/5A08	175	175	8	10.50	9.50	11.00	1.00	4	3/4-10	1.25	7.06	11.4	3.06	13.8	13.1	3/4	8
8	5608F/5A12	100	175	12	11.50	11.75	13.50	1.13	4	3/4-10	1.38	8.75	12.1	3.06	15.8	13.1	3/4	8
	5608F/5B16	175	175	16														
10	5610F/5C12	100	175	12	13.00	14.25	16.00	1.19	8	7/8-9	1.38	10.4	15.2	4.75	16.7	14.9	7/8	12
	5610F/5D16	175	175	16														
12	5612F/5C16	100	175	16	14.00	17.00	19.00	1.25	8	7/8-9	1.38	13.0	17.5	4.75	20.3	14.9	7/8	12
	5612F/5D24	175	175	24												18.9		

100% PORT ANSI 125 FLG CAM-CENTRIC® PLUG VALVE WITH WORM GEAR ACTUATOR DATE 7/27/2021



VALVE AND MANUFACTURING CORP.

DRWG. NO.  
VMC-5603FWGA